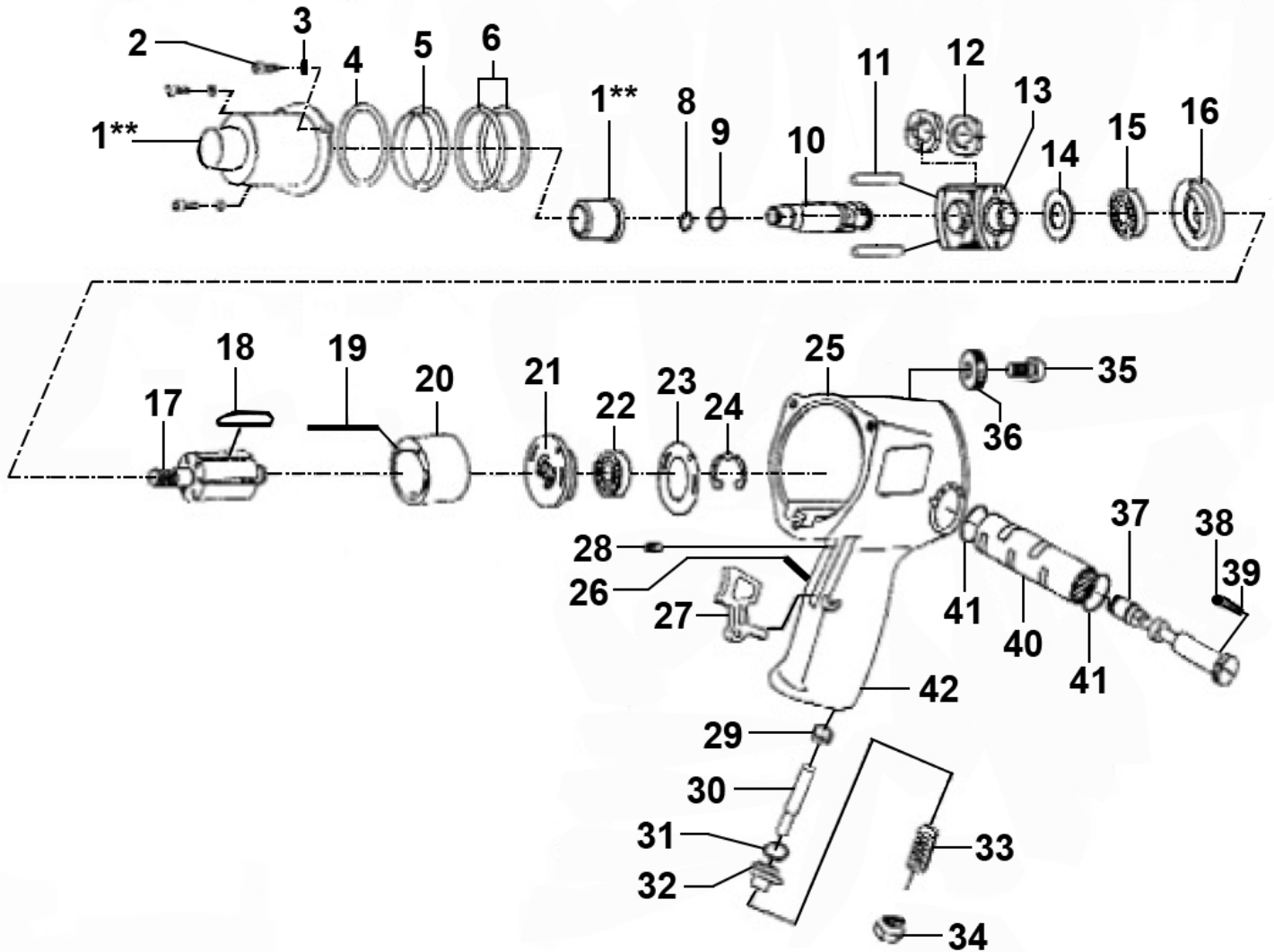




Parts Information:
Air Impact Wrench 1/2" Sq Drive - Twin Hammer
Model No: SA602.V3



Item	Part No.	Description
1**	SA602.V3-01	Clutch Housing (Includes Anvil Bushing)
2	SCB518.SB	Socket Cap Bolt M5 x 18mm Black
3	SWM5.SB	Spring Washer M5 Black
4	SA602.V3-04	Front Gasket
5	SA602.V3-05	Clutch Housing Pilot
6	SA602.V3-06	Motor Clamp Washer
8	SA6006.17	Socket Retainer
9	SA602.V3-09	O-Ring, (Ex: 9.11 In: 4.93 Cs: 2.09)
10	SA602.V3-10	Anvil
11	SA602.V3-11	Hammer Pin
12	SA602.V3-12	Hammer Dog
13	SA602.V3-13	Hammer Bage
14	SA602.V3-14	Washer, Hammer
15	B/6002ZZ	Bearing 6002ZZ

Item	Part No.	Description
16	SA602.V3-16	Front End Plate
17	SA602.V3-17	Rotor
18	SA602.V3-18	Rotor Blade
19	SA602.V3-19	Lock Pin, Cylinder
20	SA602.V3-20	Cylinder
21	SA602.V3-21	Rear End Plate
22	B/6001-2RS	Bearing 6001-2RS
23	SA602.V3-23	Gasket, Rear End Plate
24	SA602.V3-24	E-Clip 10mm ID
25	SA602.V3-25	Main Housing
26	SA59.V3-42	Spring Pin M4.2 X 18
27	SA602.V3-27	Trigger
28	GSM88.S	Grub Screw M8x8 (Single)
29	SA602.V3-29	Throttle Bushing

NOTE: It is our policy to continually improve products and as such we reserve the right to alter data, specifications and component parts without prior notice. There may be alternative versions of this product, please contact us should you require this information.

IMPORTANT: No liability is accepted for incorrect use of product. Spare parts must be fitted by a competent person

WARRANTY: Guarantee is 12 months from purchase date, proof of which will be required for any claim.

Sealey Group, Kempson Way, Suffolk Business Park, Bury St Edmunds, Suffolk. IP32 7AR



01284 757500



01284 703534



sales@sealey.co.uk



www.sealey.co.uk



Parts Information:
Air Impact Wrench 1/2" Sq Drive - Twin Hammer
Model No: SA602.V3

Item	Part No.	Description
30	SA602.V3-30	Valve Tappet
31	SA602.V3-31	O-Ring, (Ex: 11.71 In: 7.15 Cs: 2.28)
32	SA602.V3-32	Valve Stem
33	SA602.V3-33	Spring Dia 9.06mm
34	SA602.V3-34	Hose Fitting
35	BHSS612.SB	Button Head Socket Screw M6 X 12 Black
36	SA602.V3-36	Release Valve Knob

Item	Part No.	Description
37	SA602.V3-37	Release Valve
38	SB-3.2	Steel Ball 3.2mm
39	SA602.V3-39	Spring Dia 3mm
40	SA602.V3-40	Bushing, Release Valve
41	SA342.12	O-Ring, (Ex: 14.38 In: 10.82 Cs: 1.78)
42	SA602.V3-42	Main Housing Rubber Sleeve

NOTE: It is our policy to continually improve products and as such we reserve the right to alter data, specifications and component parts without prior notice. There may be alternative versions of this product, please contact us should you require this information.

IMPORTANT: No liability is accepted for incorrect use of product. Spare parts must be fitted by a competent person

WARRANTY: Guarantee is 12 months from purchase date, proof of which will be required for any claim.

Sealey Group, Kempson Way, Suffolk Business Park, Bury St Edmunds, Suffolk. IP32 7AR



01284 757500



01284 703534



sales@sealey.co.uk



www.sealey.co.uk